

## FEATURES

- Instrument control by a rotation "Encoder"
- Flow control input
- pH range: 0-14 pH; ORP range: 0-999 mV
- ORP probe: to specify
- PT100 Temperature probe
- pH probe
- Stand-by input
- Probe alarm (probe check-up)
- Max dosing time alarm
- Threshold alarm
- Level alarm
- Flow alarm
- SMS alarm sending (as option)
- Ethernet connection for email alarm sending (as option)
- Programmable delay at dosing startup (max 60 minutes)
- pH priority dosage over ORP dosage
- Temperature and pH compensation
- Service Menù for real time probe reading
- Internal clock
- Working modes: on/off, impulsive proportional, proportional PWM and fixed PWM
- Automatic or manual dosing activity
- Data log download on a USB device (as option)
- mA outputs (as option)



Microprocessor digital regulator for pH and ORP with temperature reading.

On/Off, impulsive proportional, proportional PWM or fixed PWM working modes.

In On/Off working mode, a "STK Speed" function let the pumps operate at pulses per minutes for a set time (1 pulse every x minutes) to provide a reaction time.

### INPUT:

- Stand-by
- Flow
- pH (+) level
- pH (-) level
- ORP level
- pH probe
- ORP probe
- Temperature probe
- Power supply

### OUTPUT:

- 2 proportional impulsive (pH)
- Proportional impulsive (ORP)
- Proportional on/off (pH)
- Proportional on/off (ORP)
- General alarm
- mA output (pH, ORP and temperature) as option

## ELECTRICAL

### INPUT SIGNAL

BNC (pH)

BNC (ORP)

### ON/OFF OUTPUT

2 relays; 5A @ 230 VAC

(fuse protected)

### ALARM OUTPUT

Free voltage contact

(fuse protected)

### POWER SUPPLY

90-265 VAC; 50/60 Hz

### PROPORTIONAL OUTPUT

Pulse output signal,

open collector

### STAND-BY

1 contact input

### AVERAGE CONSUMPTION

25 W

0-180 pulses per minute

### RS485 OUTPUT

1 RS485 output (optional)

**EMEC**

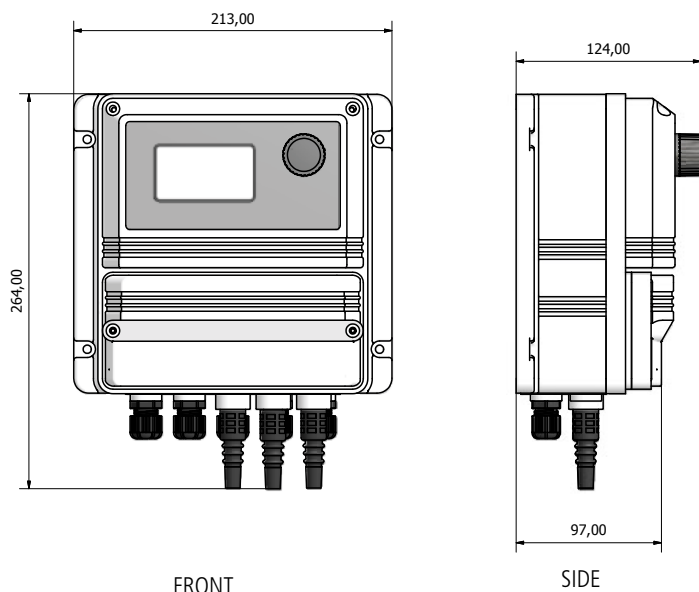
ISO 9001:2008  
ISO 14001:2004  
OHSAS 18001:2007



Via Donatori di sangue, 1 - 02100 Vazia (RI) - Italy  
Tel. +39 0746 2284 1 - Tel. +39 0746 1725114 - Fax +39 0746 2284 2 - <http://www.emec.it>

Specifications subject to change without notice.  
ENG R1-05-10

## DIMENSIONS



## ENCLOSURE

IP65 enclosure (NEMA4x).

LDPHRH control instruments are manufactured in ABS housing to ensure protection against aggressive chemicals and tough environment.

## ENVIRONMENT

-10°C ÷ 50°C (14°F ÷ 122°F)

0÷95% (non condensing) relative humidity

## ORP PROBE - PH PROBE - TEMPERATURE PROBE

ORP PROBE	
Mod.	Range
ERHS	0-1000 mV
ERHM	0-1000 mV
ERHL	0-1000 mV
ERHHL	0-1000 mV
ERHM/D	0-1000 mV
ERHSN6	0-1000 mV
ERHMD/100	0-1000 mV
ERHSC	0-1000 mV
ERHSCSN6	0-1000 mV
PH PROBE	
EPHS	0-14 pH
TEMPERATURE PROBE	
ETEPT	0-100° C